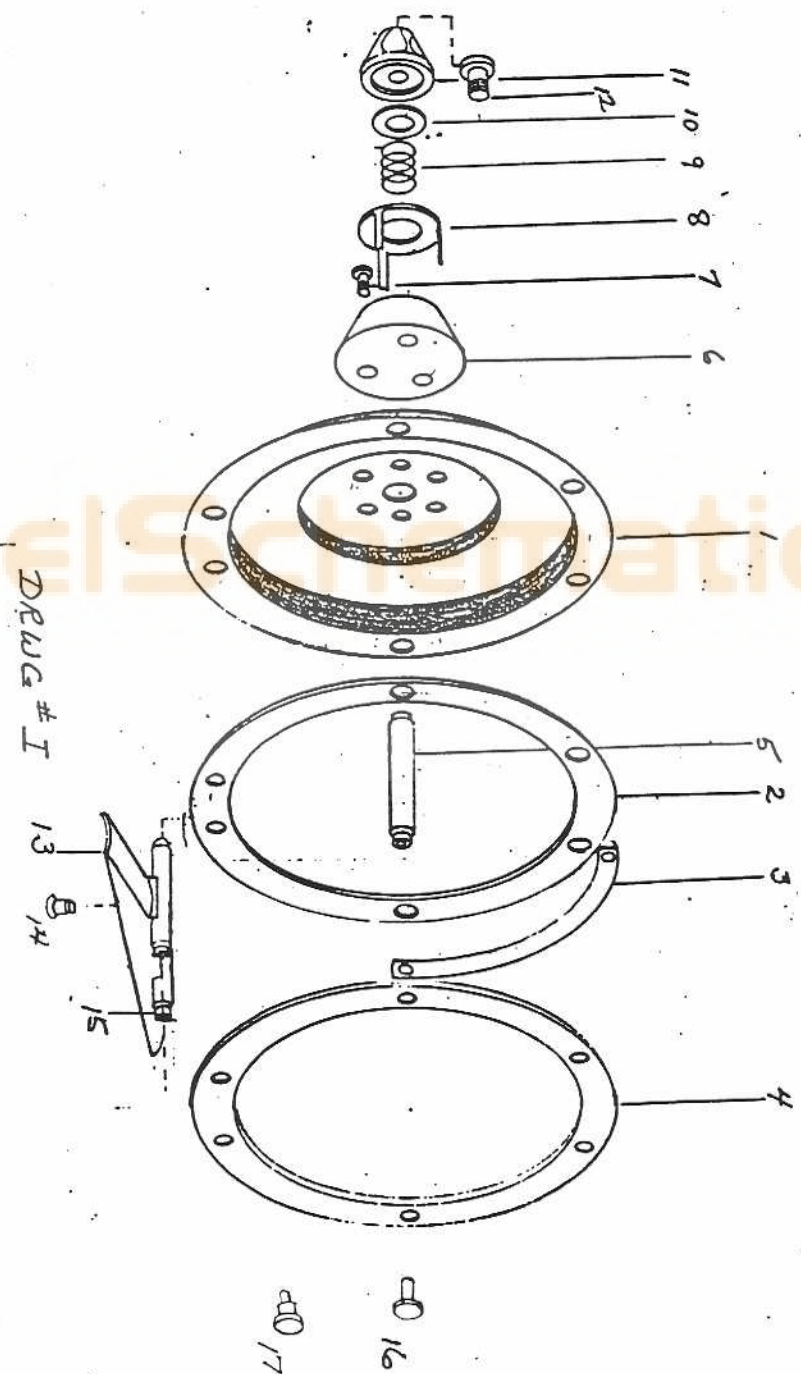


MG-72 R



PART NUMBER	QUANTITY
1 S-1-MG-72	1
2 807-H INNER RIM	1
3 194 LINE GUIDE	4
4 808- OUTER RIM	1
5 191 LINE GUIDE PISTS	4
6 270 END GAP	1
7 268-S END GAP SCREW	3
8 271-P PUNGER SPRING	1
9 294-S DRAG SPRING	1
10 671-S DASHER	1
11 267 DRAG NUT	1
12 64 SCREW	1
13 807 REEL FOOT	1
14 203-S REEL FOOT + END GAP SCREW	2
15 821 REEL FOOT POST	2
16 2 PILLAR SCREW	12
17 710 BAYONET LOCK STUD	3